



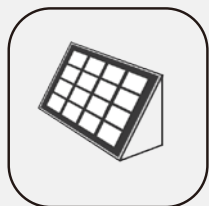
ALL IN ONE

► LRC-F20

Solar Street Light



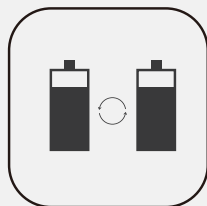
WAYS OF LIGHT
שירותים מקצועיים לענף החשמל והתאורה



Monocrystalline
Solar Module



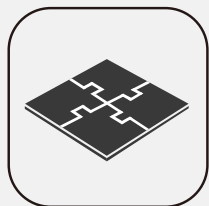
Efficient
Controller



Battery system



CREE LED



All-in-One



Anti-Typhoon



PIR motion Sensor

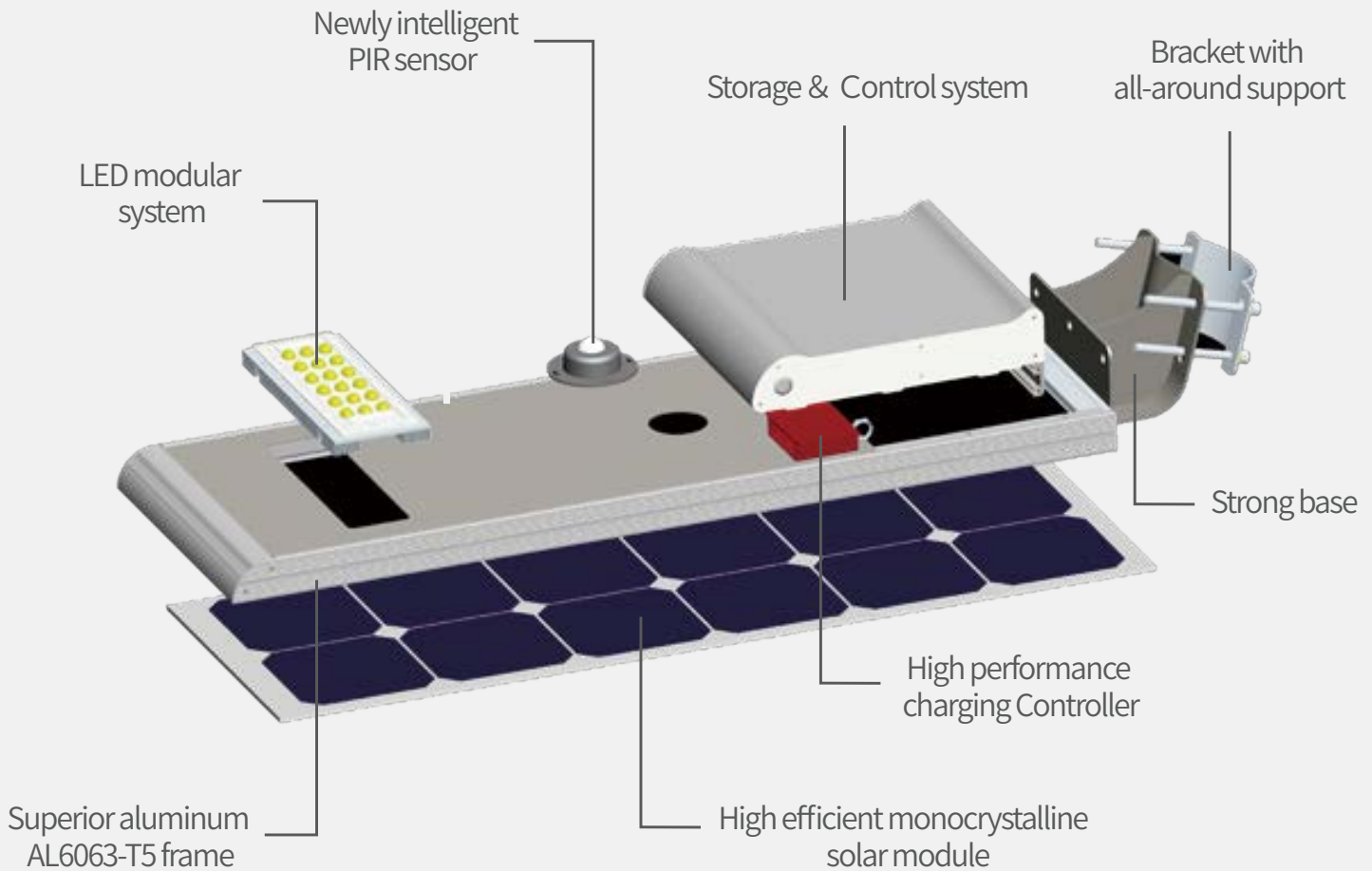


IP65



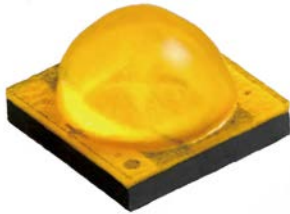
Patent Design, Globe First
LED Modular Thermal Design
Innovative Battery Protection System
High efficiency charging & discharging
management system, 365 days lighting time

Simple installation, easy maintenance.
Each part is imaginative,
all materials are carefully selected.
Protected against all weathers.



Our Advantages

About LED



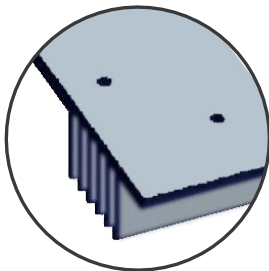
Cree® XLamp® XT-E LEDs

- ◆ CREE LED without gold wire packaging, creates a first-class light source
- ◆ 140Lm/W, 30% brighter than other similar products
- ◆ Longer working hours, 15% longer than other similar products

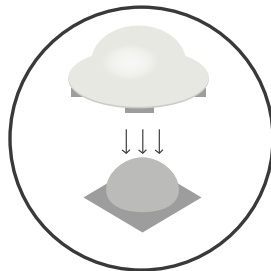


LED Modular System Design

- ◆ Rectangular beam design for road lighting, with bat wing light distribution
- ◆ The well optimized light distribution, made for a more uniform and wider lighting area.
- ◆ Lens with exhaust valve, prevent water vapor gathered & makes longer lifespan
- ◆ Original thermal system design, innovative heat sink with IP67 PG head



Innovative heat sink



Rectangular beam design

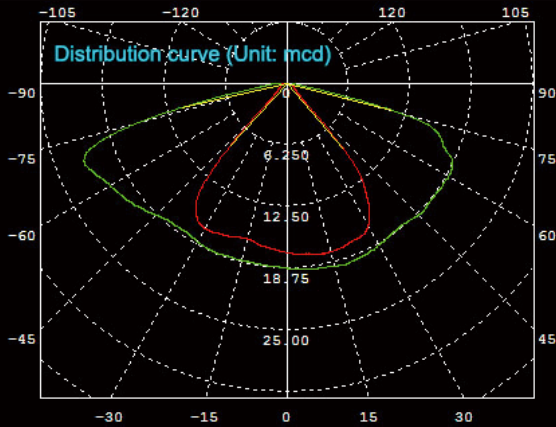


Advanced exhaust valve



IP67 PG head

Bat wing light distribution curve



Dim Mode
(30%)



Full Bright
(100%)



5m
(Mounting Height)

5.5m
(Illumination Areas)

17m
Eav: 11Lux
(LRC-F20)

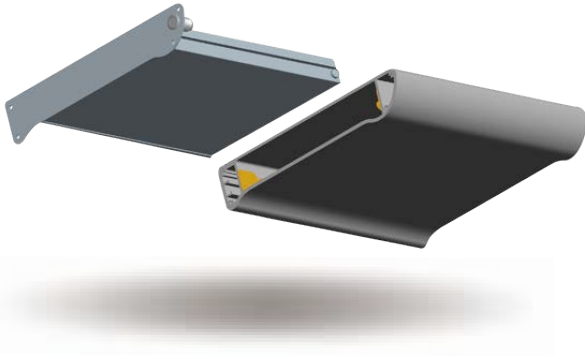
LRC-F series comes complete with built-in PIR sensor system

Regular automatically the light source from 100% full bright (when people move onto the lamp) to 30% dim mode (when people move away) for energy saving

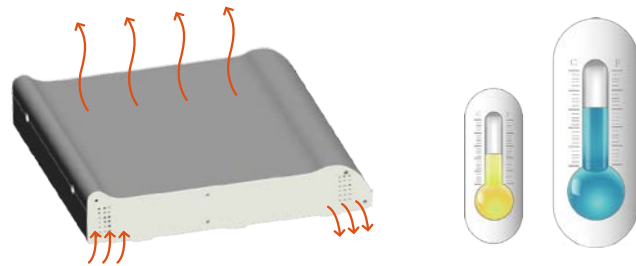
Model No.		Lighting Data Table				Recommended Height
LRC-F20	Mounting Height	3M	4M	5M	6M	
	Illumination Area	15.5*4.5=70 m ²	16*5=80 m ²	17*5.5=93.5 m ²	18*6=108 m ²	4~6M
	Eav (lx)	14Lux	12Lux	11Lux	9Lux	

Innovative Battery Protection System

- ◆ Built-in Lithium class A battery, single cell with PTC
- ◆ Superior IC with military standards in battery protection board
- ◆ Waterproof, damp proof, explosion proof
- ◆ Over charging & over discharging protection



Modular design
easy installation, free maintenance



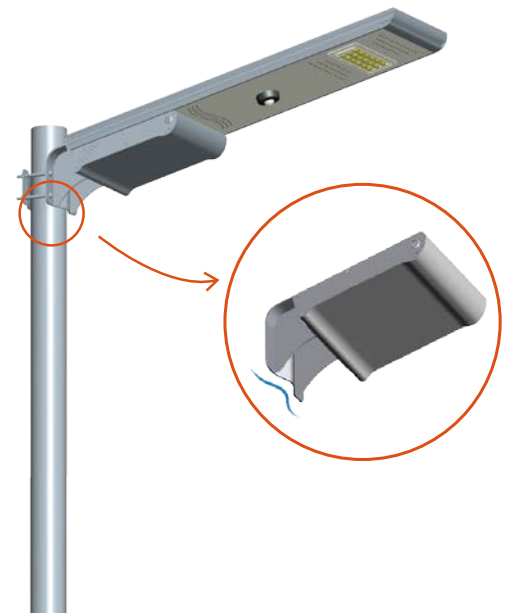
Professional thermal & temperature controller system,
more air flows and better heat dissipation

Professional mechanical design



More beautiful

Ultra-Thin Design



Much safer

Patent hooping design with
multi-point contact areas, safety
increased by 30%

Technical Data

LRC-F Series All in One Technical Data

* Packaging of 1 unit per carton

Model No.		LRC-F20
Physical Parameters		
LED Brand	CREE	
LED Qty	18	
Power of PV Module (W)	40W	
Lithium Battery Capacity (Ah)	20	
PIR Sensor	✓	
Dimension of Product (mm)	937*280*36.5	
Net Weight (kg)	9.9	
Dimension of Carton (mm)	995*335*180	
Gross Weight (kg)	11.4	
Light Parameters		
Light Output (W)	20W	
Typical Luminous Flux (Lm)	2800	
Color Temperature (K)	2700-6500	
Beam Angle (°)	150°x70°	
Min. Working Time (Hours)	Full Bright	13
	Dim Mode	39
Environment Parameters		
Charging Temperature (°C)	0 °C to +60 °C	
Discharging temperature (°C)	-20 °C to +60 °C	
Storage temperature (°C)	-20 °C to +45 °C	
Installation		
Recommended Dia. of Top Pole (mm)	60~105	
Recommended Installation Height (m)	4~6	
Recommended Installation Distance (m)	18~20	

להזמנות ופרטים נוספים ניתן לפנות לחברת דרכי האור :

POB 98, Ma'ale Adumim, ISRAEL 9810002

Mobile: 972-50-2500565 | Tel: 972-2-6730822 | Fax: 972-2-6730892

elikom565@gmail.com

